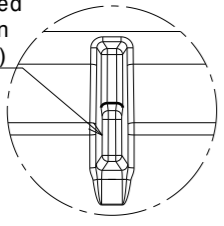
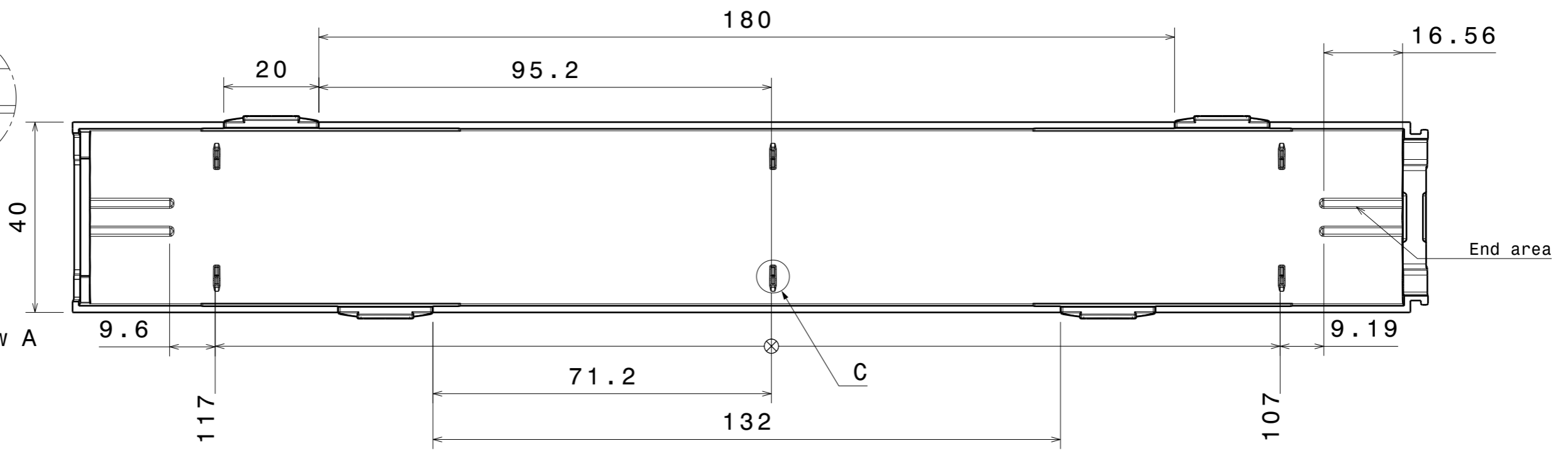


Dimensions measured from outer edge in (Auxiliary view A)

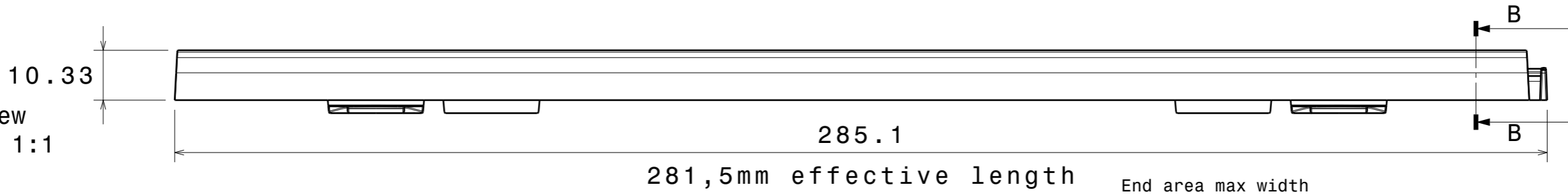


Detail C
Scale: 4:1

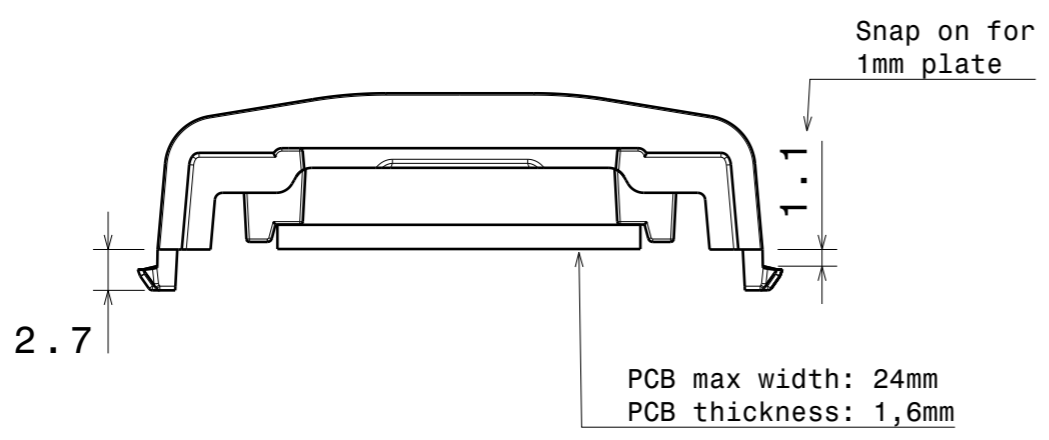
Auxiliary view A
Scale: 1:1



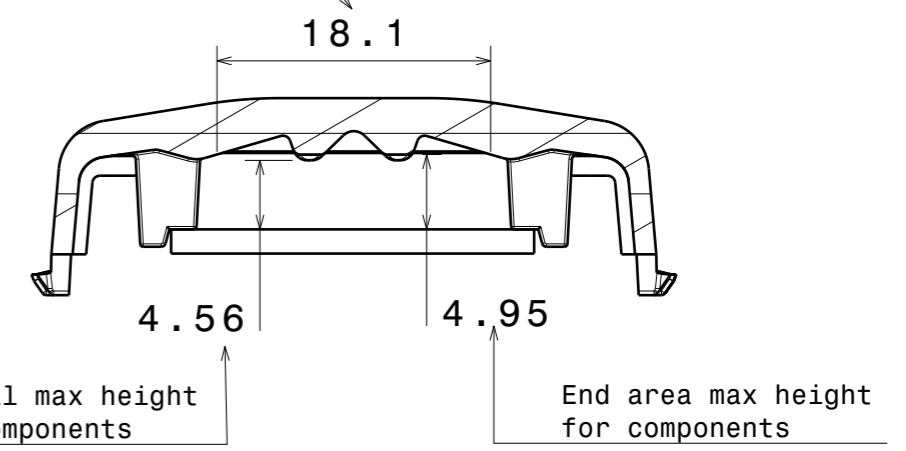
Left view
Scale: 1:1



Front view
Scale: 2:1



Section view B-B
Scale: 2:1



PART NO	MATERIAL
F16048_LINNEA-UP	Polycarbonate

Tolerances if not otherwise shown
According to DIN ISO 2768-1
Linear measures:
Up to 30mm class F, otherwise see class M.
According to DIN ISO 2768-2
Form and position: class K
Control for SPC marked dimensions.

LEDiL LediL Oy
Salorankatu 10
FIN 24240 SALO
Finland

First angle projection

DRAWING TITLE
LINNEA-UP Mechanical Drawing

This drawing is the property of LEDiL Oy. It may not be reproduced, copied or communicated without a written agreement with LEDiL Oy.

SIZE	PART NUMBER
A3	F16048

SCALE	WEIGHT	SHEET
1:1	36,13 g	1/2

H G F E D C B A

4

4

3

3

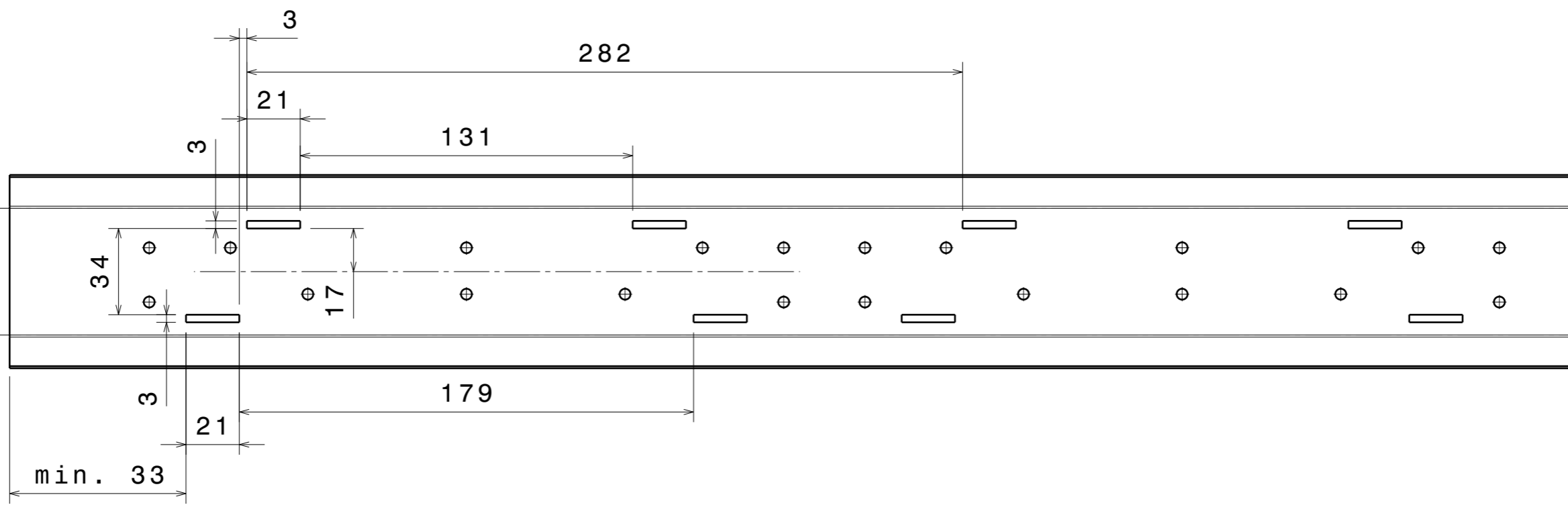
2


2

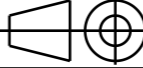
1

1

H G F E D C B A



 Ledil Oy Salorankatu 10 FIN 24240 SALO Finland	DRAWING TITLE		
	LINNEA SHEETMETAL CUT OUT		
SIZE	PART NUMBER		
A3	-		
SCALE	1:2	WEIGHT	
		SHEET	2/2

FIRST ANGLE PROJECTION: 

This drawing is the property of LEDiL Oy. It may not be reproduced, copied or communicated without a written agreement with LEDiL Oy.